



PVP260kW



PERFORMANCE MONITORING

Increase uptime and reduce maintenance costs with inverter-integrated monitoring solutions from market-leading third party partners. Each engineered solution is housed on a UL508A panel to deliver the highest level of safety and reliability. With the optional revenue grade meter and subcombiner monitoring, PV Powered offers unprecedented choice and convenience.



All PV Powered products are designed and manufactured in the U.S., are fully compliant with the Buy American Act, and qualify for projects funded by the federal stimulus package.

20720 Brinson Boulevard
PO Box 7348
Bend, OR 97708

1-541-312-3832
WWW.PVPOWERED.COM

The industry standard for reliability, installability and maintainability

The PVP260kW raises the bar once again for commercial inverter reliability, ease of installation and lifetime maintainability, while delivering best-in-class 97.0% CEC efficiency. High reliability is enabled by market-leading features including busbar power connections, redundant cooling system, card cage circuit board design and the widest temperature rating of any inverter in its class. The highly integrated system saves installers time and money by including load break rated AC & DC service disconnects, neutral-free installation, oversized busbar landings and generous cable bending area for top, bottom and side cable entry options.

The PVP260kW has a standard 295VDC minimum MPPT and an optional full power 265VDC minimum MPPT - the lowest MPPT voltage of any commercial inverter in the industry. This low input voltage option enables exceptional stringing capability with all PV module technologies including new thin film modules. The PVP260kW also simplifies performance monitoring by offering inverter-integrated solutions from market leaders Fat Spaniel, Draker and Energy Recommerce. Additional options from PV Powered include integrated revenue grade meter and subcombiner monitoring.

PV Powered backs all its commercial inverters with an industry-leading 10-year nationwide warranty and an unprecedented optional 20-year warranty; plus the best service and support team in the business.

INVERTER FEATURES

Superior Reliability

- Redundant cooling system with Smart Air Management™
- Low parts count reduces potential failure points
- Engineered busbar power connections
- Card cage circuit board system minimizes electronic interconnections

Exceptional Installability

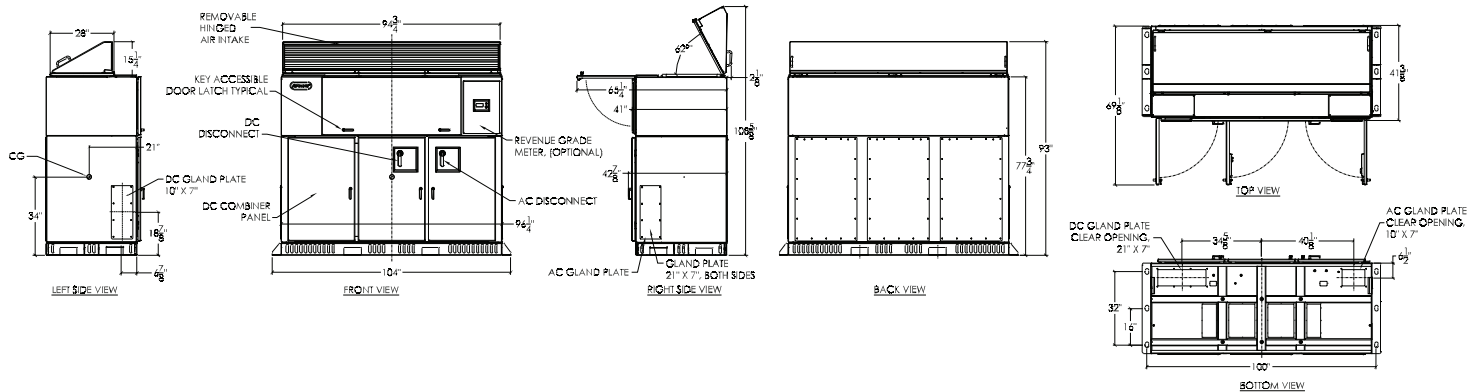
- Top, bottom and side entry with generous bending area and oversized busbar landings
- Large DC sub-combiner compartment with multiple fuse options
- Full power output at 265 VDC enables more PV array design options
- Exterior mounting flanges for fast and easy anchoring with no pre-drilling

Easy to Maintain

- All maintenance and service via front access
- Fast change circuit board system shortens service time
- Load break rated AC and DC service disconnects



DIMENSIONS



(complete design documentation including seismic calculations available upon request)

ELECTRICAL SPECIFICATIONS

MODEL	PVP260kW	PVP260kW-LV
Continuous Output Power (kW)	260kW	260kW
Weighted CEC Efficiency (%)	97.0%	96.5%
Maximum DC Input Voltage (VOC)	600	600
DC Peak Power Tracking Range (V)	295 – 500	265 - 500
DC Imp Nominal Current (A)	918	1022
AC Nominal Voltage (V)	480Y	480Y
AC Operating Range (V)	422 - 528	422 - 528
AC Frequency Range (Hz)	59.3 - 60.5	59.3 - 60.5
AC Maximum Continuous Current (A)	301	301
Standby Losses (W)	<75 (est)	<75 (est)
Harmonic Distortion (%THD)	<3%	<3%
Power Factor	>.99	>.99

MECHANICAL SPECIFICATIONS

MODEL	PVP260kW	PVP260kW-LV
Enclosure	NEMA 4	NEMA 4
Construction	Powder Coated Steel	Powder Coated Steel
Mounting	Pad Mount	Pad Mount
Weight (lbs)	4,800	4,800
Cooling	Forced Convection	Forced Convection
Temperature Range (°C)	-30 to 50	-30 to 50
Isolation Transformer	Yes	Yes

OPTIONS

- Fused subcombiners: 8 x 200A, 16 x 100A, 20 x 75A
- Fused subcombiners with monitoring: 8 x 200A, 16 x 100A
- Integrated revenue grade meter
- Positive ground
- Third party integrated data monitoring solutions
- Preventative maintenance program
- 20-Year extended warranty
- Stainless steel enclosure

AGENCY APPROVALS

UL 1741, IEEE519, IEEE929, IEEE1547, FCC Class A for conducted and radiated

